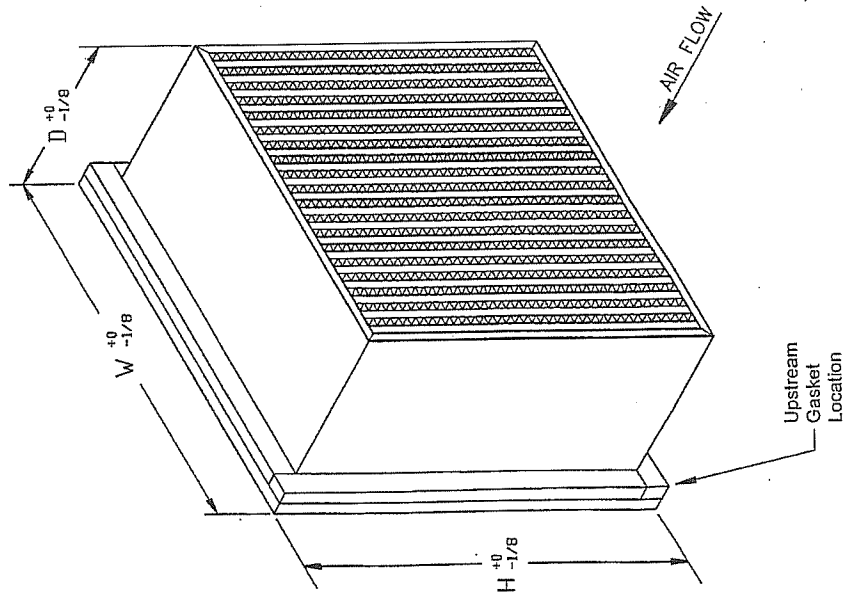



Item Number	Construction Code	Actual Size (Inches) H x W x D	Rated Air Flow (CFM)	Initial Resistance (In. W.G.)	Efficiency	Media Area (Square Feet)
2958014	M2319B33-0EY 110 300	23-3/8 x 19-3/8 x 11-1/2	1550	1.00	95% @ 0.3 Micron	155



Construction	Code	Description
Standard and Certification	0	None
Frame Material	E	24 GA Corrosion Resistant Steel
Frame Style	Y	Single Header (Metal) 3/4" x 3/4" Air Leaving Side
Gasket	1	Urethane 1/4" x 3/4" (180 deg. F), Dovetail Joints
Gasket Location	1	Upstream
Sealant	0	High Loft Fiberglass Wrap (350 deg. F)
Hardware	3	Expanded Steel - Downstream Side
Acceptance Level	0	95% @ 0.3 Micron (Not Tested)
Separators	0	Aluminum Separators, Standard Capacity

NOTES

- Media: Micro-Glass Fiber / Acrylic Resin Binder
- Rated Velocity: 11-1/2" Depth - 500 FPM
- Recommended Final Resistance: 2.0" W.G. @ Rated Flow (Twice Initial Resistance)
- Class 1 Filter Per U.L. Standard 900
- Maximum Operating Temperature: 180 Deg. F



 ONE SOURCE
 AIR FILTRATION
 PRODUCTS
 P.O. Box 32578
 Louisville, KY 40232
 P: 502-969-2304
 F: 502-969-2759

CONTACT FACTORY TO
 VERIFY REVISION LEVEL

TOLERANCES UNLESS OTHERWISE SPECIFIED
 FRACTIONAL - -
 DECIMAL - -
 ANGLES - -
 ALL DIMENSIONS IN INCHES

DRAWING NAME: **MICROGUARD 95**
M2319B33-0EY 110 300
 APPROVED BY: *[Signature]* SPECIFICATION NO. MKT-B-00493
 SCALE: NONE DWG. SIZE: A REVISION: NEW
 REVISION DATE: 03-16-09
 PAGE: 1 OF 1

CONFIDENTIAL - DO NOT COPY. THIS MATERIAL IS TRADE SECRET AND PROPRIETARY BEING EXCLUSIVELY OWNED BY AIRGUARD. THE EXPRESSION OF THE INFORMATION CONTAINED HEREIN IS PROTECTED UNDER FEDERAL COPYRIGHT LAWS AND ALL COPYING IS PROHIBITED AND MAY BE SUBJECT TO CRIMINAL PENALTIES.